


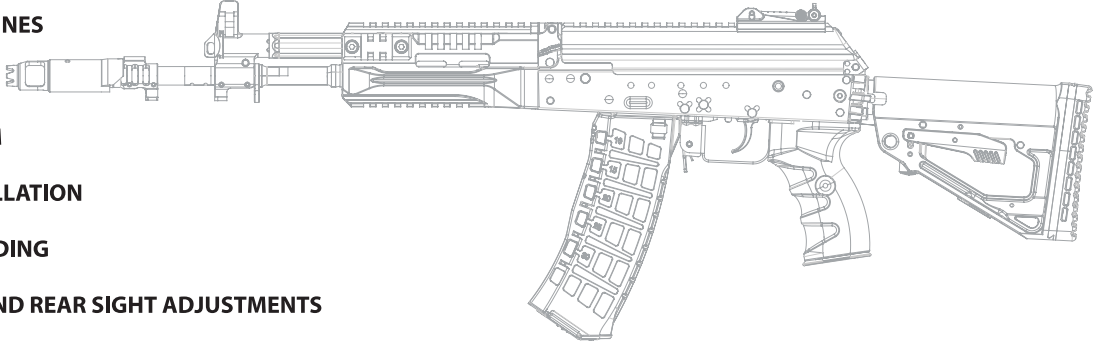









TABLE OF CONTENTS

-  1. TABLE OF CONTENTS
-  2. SAFETY GUIDELINES
-  3. FIRE SELECTION 
-  4. HOP-UP SYSTEM
-  5. BATTERY INSTALLATION
-  6. MAGAZINE LOADING
-  7. FRONT SIGHT AND REAR SIGHT ADJUSTMENTS
-  7. FOLDING STOCK SET
-  8. DISASSEMBLE
-  10. MAINTENANCE / TROUBLE SHOOTING

PACKAGE CONTENTS

- [1] ELECTRIC AIRSOFT GUN
- [1] MAGAZINE
- [1] OWNER'S MANUAL
- [1] CLEANING ROD

WARNING / SAFETY GUIDELINES**SAFETY WARNING** 

Before operating the Airsoft gun, carefully read the owner's manual in its entirety. Important safety, operation, maintenance, and tips are discussed within the owner's manual. It is important for the user to know the principles of gun handling safety and operation prior to firing the Airsoft gun. Failure to follow the safety guidelines and operational instructions in this manual may result in serious personal injuries or damage to the Airsoft gun.

The orange tip on Airsoft guns helps Law Enforcement distinguish between replica Airsoft guns from their real firearm counterparts. Altering the coloration or markings required by state or Federal law so as to make the product more resemble a firearm is dangerous and may be a crime. User assumes all risks and responsibilities when doing so.

Due to the nature and design of some Airsoft guns, they may be mistaken as real firearm. It is strongly advised to operate airsoft guns in the safety and privacy of user's own home, or at a legally sanctioned locations or game fields. Police, Peace Officers, and Law Enforcement Officers are trained to treat objects that resemble firearms and actual firearms as one. In an event that the user is approached by a Law Enforcement personnel, the user must completely comply with Law Enforcement's instructions to avoid an incident. Never point an Airsoft gun at Law Enforcement Officials. Confrontation with a Law Enforcement Official may result in serious injury or death.

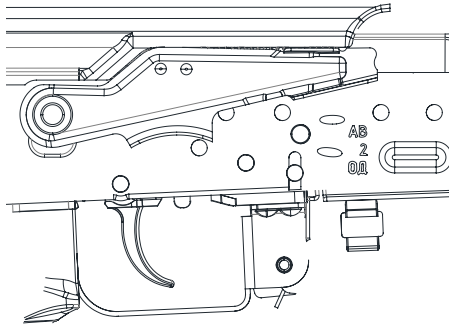
SAFETY GUIDELINES

The basic principles of gun safety require the user to always apply the following rules when handling the Airsoft gun. It is the sole responsibility of the user for its safe use and handling. User should be fully familiar with the proper and safe handling of the Airsoft gun. The Airsoft gun is safe unless handled irresponsibly or misused.

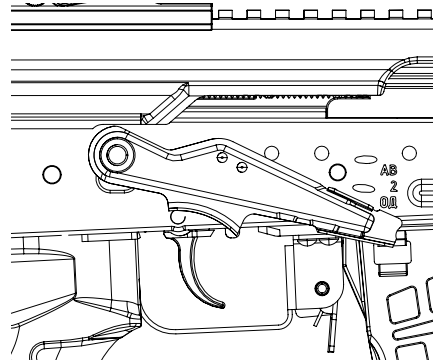
- Full face protection is required.
 - Ensure all surrounding people are wearing suitable eye and face protection.
 - The effective shooting range is approximately 160 feet (50 meter). BBs may travel further than intended. Make certain there is adequate backstop.
 - Always assume the Airsoft gun is loaded until the magazine is removed and hop-up chamber is visually checked to not contain any BBs.
 - Keep fingers away from the inside of the trigger guard until ready for firing.
 - Always keep the muzzle pointed in a safe direction. Never point the Airsoft gun towards anything not intended to be shot.
 - Keep the fire selector set to SAFE until the target is aligned and ready to fire.
 - Never look down the barrel of the Airsoft gun.
 - Never transport a loaded Airsoft gun.
 - Keep the selector on the Airsoft gun set to SAFE, with magazine and battery removed when storing the Airsoft gun. Always store Airsoft gun in a safe place and out of reach of children and unauthorized person.
- Alteration, modification, or adjustment may damage the Airsoft gun and will void all warranty.
 - Modifying the Airsoft gun may result in a change of its classification under gun law and is therefore prohibited. In such cases the manufacturer's warranty will immediately become void.
 - Do not handle or operate the Airsoft gun while under the influence of alcohol, medication or drugs.

FIRE SELECTION

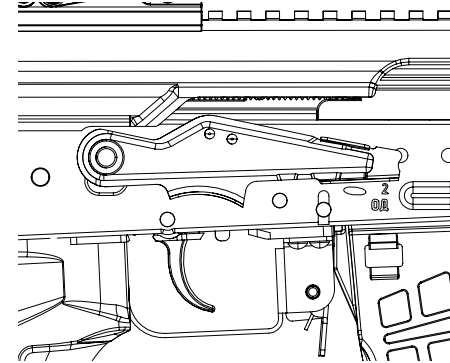
FIRE SELECTOR SWITCH

**1. SAFE**

In Safe mode, the trigger will not engage and airsoft gun will not fire.

**2. SEMI**

In Semi-Auto mode, the Airsoft gun will fire one shot per trigger pull.

**3. AUTO**

In Full-Auto mode, the Airsoft gun will fire automatically as long as the trigger is held in pulled position.

In burst mode, some ETU equipped model will fire a predetermined number of shots per trigger pull. None ETU equipped model will fire in full auto mode.



- Please do not pull the trigger while switching the fire selector. This could cause severe damage to the Airsoft gun.

**SAFETY FIRST**

- Only handle Airsoft gun in its safe condition.
- Keep the fire selector in safe position at all time until ready to fire.

HOP-UP SYSTEM

The Rotary Hop-up unit is equipped with ARCTURUS RS™ Hop-up Rubber, giving Airsoft BBs greater stability, further travel and outstanding accuracy. Airsoft BBs are light-weight and can be affected by wind when fired. With the Hop-Up system, the trajectory of the BBs can be adjusted according to BB weight and environmental factors.

Excessive Hop-Up

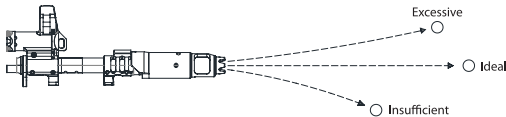
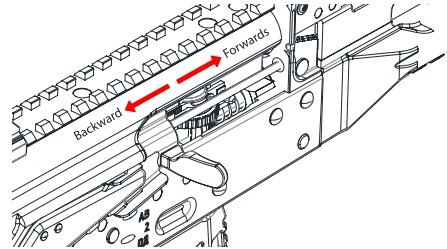
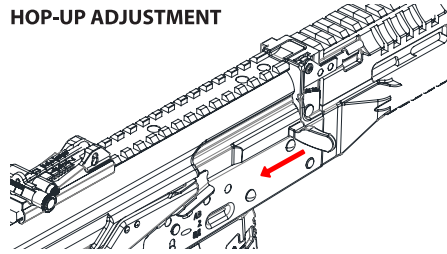
Airsoft BB travels an upward trajectory.
Decrease the Hop-Up.

Ideal Hop-Up

Airsoft BB travels in a long, horizontal flight path.

Insufficient Hop-Up

Airsoft BB travels a short distance in a downward trajectory. Increase the Hop-Up.

**HOP-UP ADJUSTMENT**

1. Pull and hold the charging handle to the rear to open ejection port. This will provide access to the Hop-Up adjustment.
2. Rotate the adjustment wheel clockwise to increase hop-up and counterclockwise to decrease hop-up.
3. Once the Hop-up has been set, release the bolt plate to return the bolt plate back to its fully seated position.

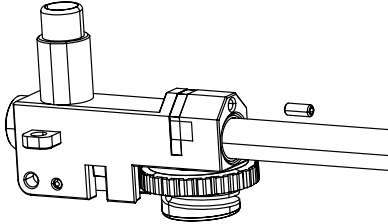


- Before removing the jammed Airsoft BBs, be sure to return the hop-up adjustment wheel to zero hop position. After removal of Airsoft BBs, test fire 2 to 3 times to check for clearance. Arcturus Airsoft guns are made with precision tight bore barrels. Use only new high quality Airsoft BBs. The use of recycled or low quality Airsoft BBs is the primary cause of jamming. In many cases, it can severely damage the gearbox, hop-up and inner barrel.
- The Hop-up can be unstable for the first 200-300 rounds after applying oil to the gearbox. Oil should be applied for maintenance every 10,000 rounds fired.
- Turning the Hop-up dial excessively can cause the BBs to clog the Airsoft gun and damage the piston and gears. Reset the adjustment dial to zero and readjust the Hop-up.

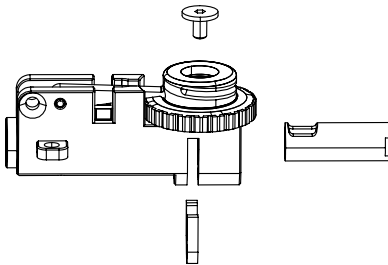
HOP-UP SYSTEM

BATTERY INSTALLATION

HOP-UP UNIT DISASSEMBLY

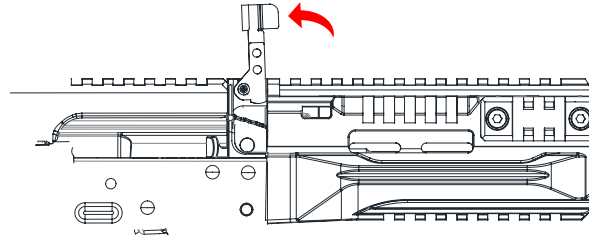


1. Remove the feed tub off from the hopup unit by turning counterclockwise. Use 1.27mm or .050in Allen to remove set screw holding the barrel clip.

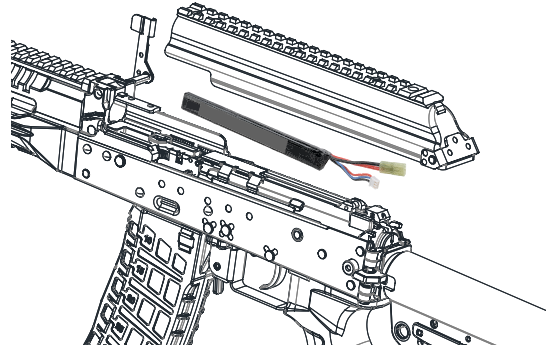


2. Remove screw on top of hop adjustment knob. Slide the knob off from the top and remove nub.
3. Pull the inner barrel, hopup packing, and brass spacer out from the hopup unit.

AK400 SERIES TOP COVER



1. Pull up the top cover release lever and pull the lever outward until the top cover is released.



2. Insert the battery first, connect the connector with the battery until fully seated.



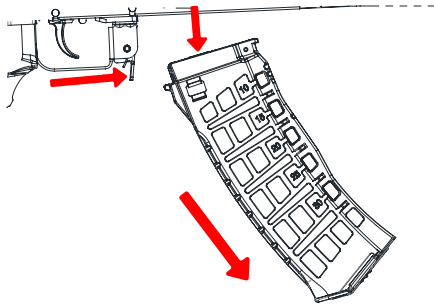
- Please direct the muzzle towards a safe direction and set the selector switch to "safe" position.
- The magazine should be removed before charging the battery.

MAGAZINE LOADING

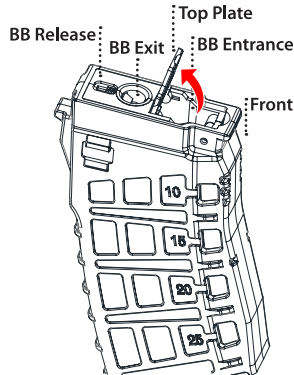


LOADING HI-CAP MAGAZINE

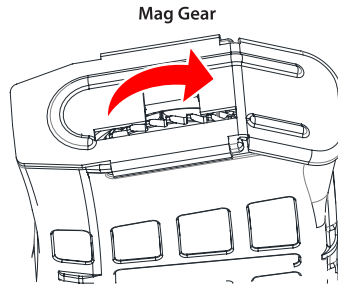
1. Press the magazine release button to remove the magazine.



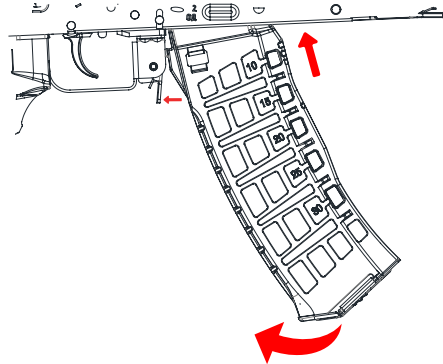
2. Open the magazine top plate and pour BBs into the chamber until full.



3. Turn the winding wheel (for "Flash Mag" pull the line to wind) on the bottom of the magazine to tighten the spring tension.

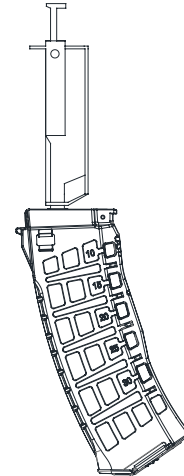


4. Insert the magazine into the Airsoft gun until it clicks into place.



LOADING MIDCAP MAGAZINE

1. Using a speed loader or other magazine loader, insert the nozzle into the opening of the magazine.
2. Press down on the loader plunger to load BBs into the magazine.
3. Stop once the magazine is full, do not force more BBs into the magazine.



- Never overload the magazine.
- Use high quality BB to avoid jamming or feeding issue.
- Unload and clear the Airsoft gun of all BBs before cleaning.

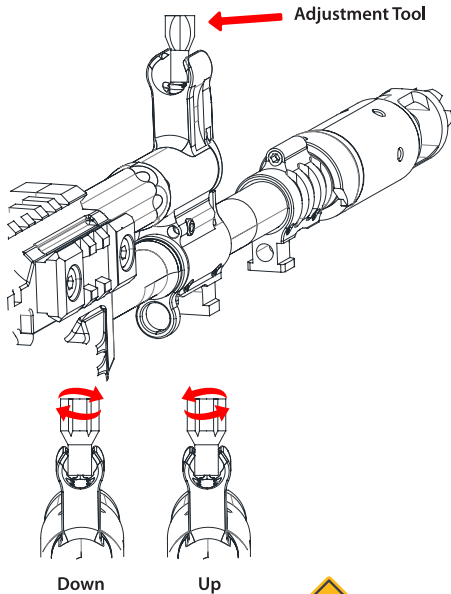
FRONT SIGHT AND REAR SIGHT ADJUSTMENTS

FOLDING STOCK SET



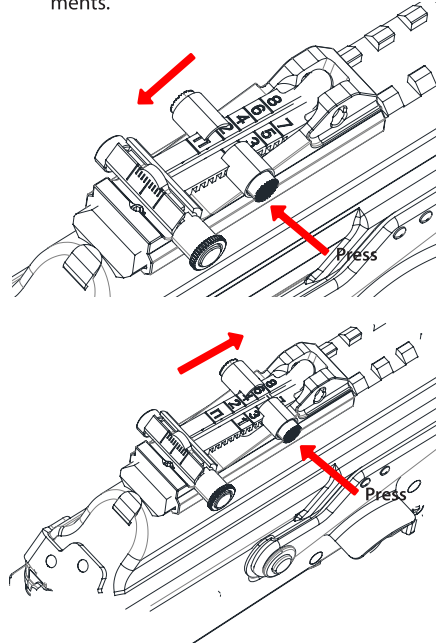
FRONT SIGHT ADJUSTMENTS

1. Insert the front sight adjustment tool into the front sight block.
2. Turn the tool to adjust the front sight post height. Turn clockwise to lower front sight post and counterclockwise to raise front sight post.

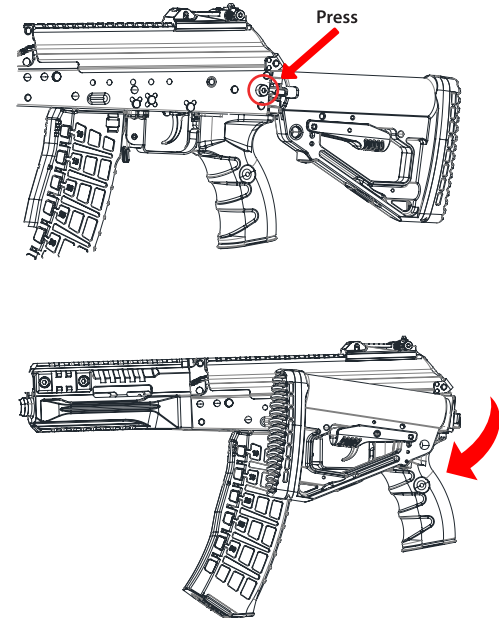


REAR SIGHT ADJUSTMENTS

1. Press the adjust button and slide it forward or backward. The larger the number, the longer the distance to the target.
2. Turn the windage dial for windage adjustments.

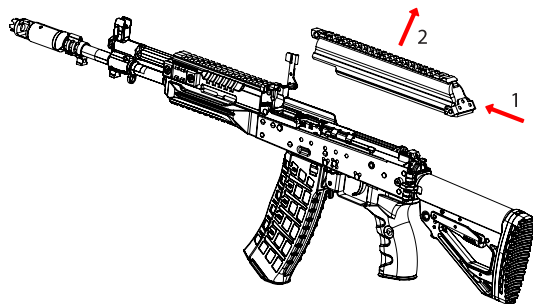


1. Press the stock lock button to unlock the stock latch.
2. Turn the folding stock to the folding position.

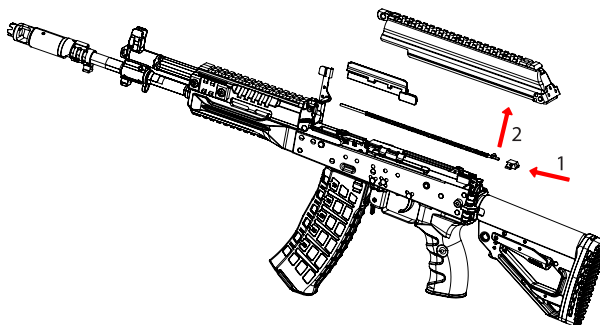


Please direct the muzzle towards a safe direction and set the selector switch to "safe" position while adjust the sight.

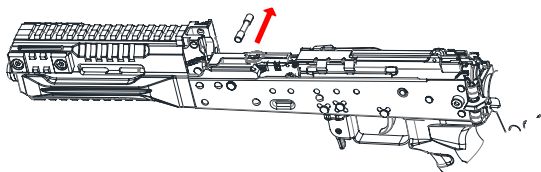
DISASSEMBLE



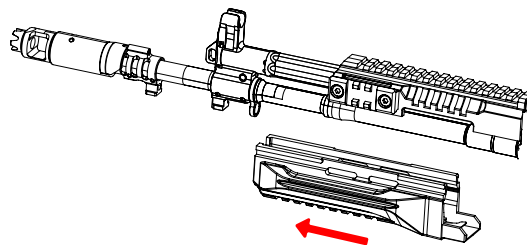
1. Take off the top cover by pulling the top cover release lever.



2. Move the mock bolt spring guide forward and pull up to release the spring. Set the selector to full auto and pull the mock bolt out.



3. Punch out the pin holding the handguard in place.



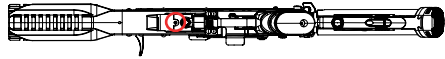
4. Slide the lower handguard forward to release the upper handguard and lower handguard from the receiver.



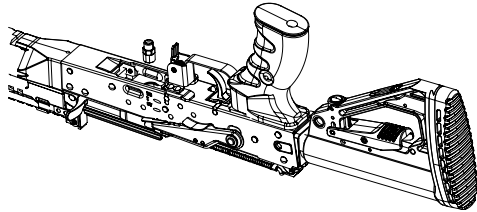
- Always remove the magazine and battery first when assemble or disassemble the gun.
- Please be careful not to hurt your fingers when removing parts.

DISASSEMBLE

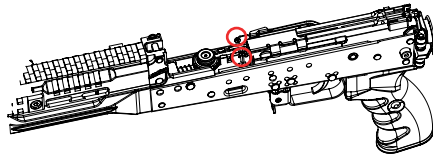
GEARBOX & HOP-UP



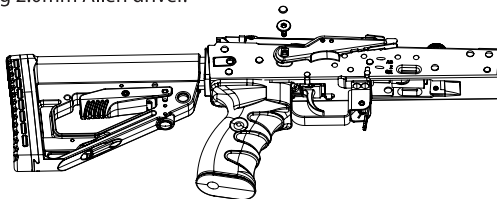
1. Remove the magwell spacer using 2.0mm Allen driver.



2. Remove the bb feeding tube by twisting it counterclockwise.

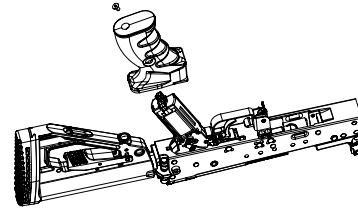


3. Remove two screws holding the hopup unit to the hopup holder using 2.0mm Allen driver.

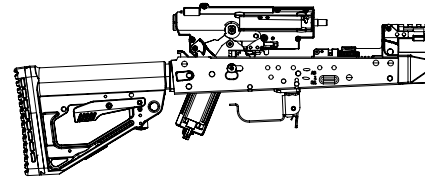


4. Pry off the plastic cover at the center of selector shaft.

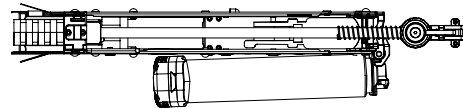
5. Remove selector plate screw using 3.0mm Allen.



6. Remove grip using 3mm Allen. Slide the grip down to expose motor cage.



7. Slide the hopup unit to the front and lift the gearbox out of the receiver.

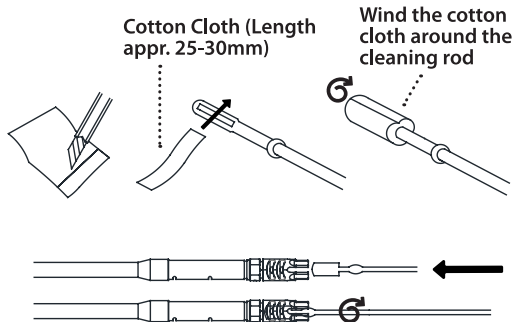


8. Fold the stock and slide the hopup unit with hopup unit holder backward. Slide the hopup unit holder down at the rear end of the receiver. Slide the hopup unit out of the back of the receiver.

MAINTENANCE

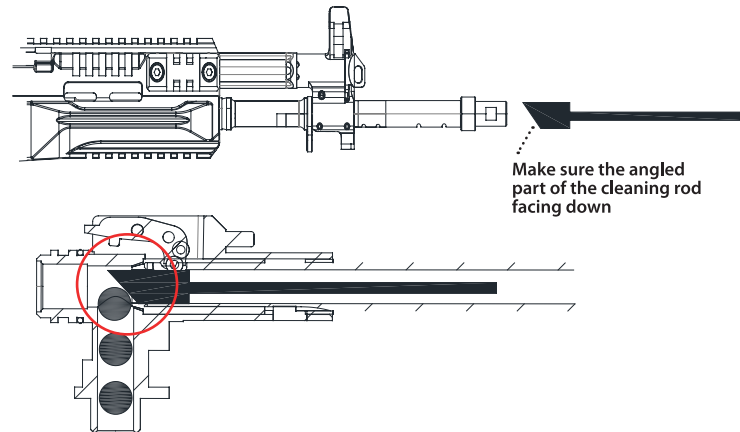
CLEANING THE BARREL

1. Before cleaning the barrel, reset the Hop-up to the "zero" position.
2. Thread a small cleaning patch through the loop end of unjamming rod. Apply two drops of 60% Isopropyl alcohol or electronic cleaner spray to the cleaning patch.



REMOVING CLOGGED BBs

1. Hold at the leading end of the rod and insert it into the barrel while turning it.
2. Do not hold the rod in the far end while inserting into the Barrel.



- When maintaining the Airsoft gun or cleaning the barrel, always set the selector switch to "safe" and disconnect the battery.
- Always return the Hop-up adjustment dial to the "zero" position before cleaning the barrel or removing clogged BBs.
- When removing clogged BB, always return the Hop-up dial to the "zero" position, to avoid damaging the chamber packing.

MAINTENANCE

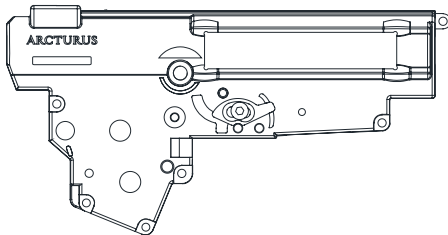
TRIGGER STOP FOR PE VERSION

ETU versions of the replica may include adjustable trigger stop feature on its gearbox. This feature allows the user to finely tune the trigger travel distance.

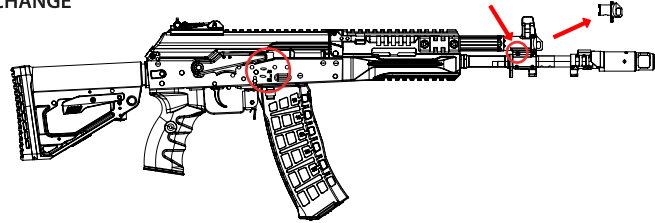
1. Loosen the center screw holding the trigger stop.
2. Slide the trigger stopper to adjust trigger travel distance. Slide counterclockwise to reduce travel and clockwise to increase travel.
3. Once the desired position is set, tighten the mounting screw to lock down the desired trigger travel.

Caution: do not over torque the mounting screw to prevent breaking the trigger stopper or stripping the tapped hole on the gearbox.

Note: traditional trigger safety block slider plate can still be used if trigger adjustment function is not desired. Remove the trigger stopper and mounting screw before swapping to traditional trigger safety block slider plate.

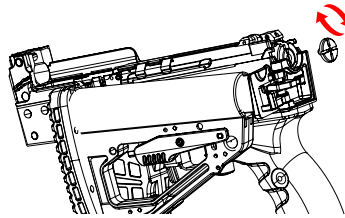


MAIN SPRING CHANGE

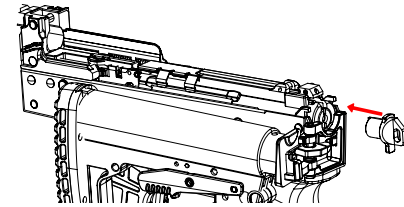


1. Set fire selector to SEMI and then pull the trigger to fire 1 shot.

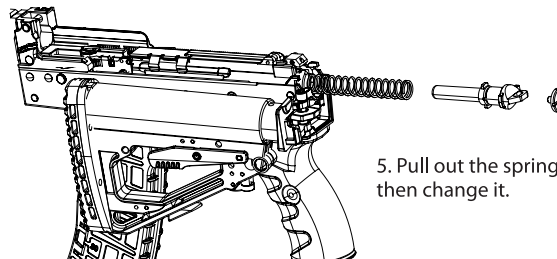
2. Press the release button on right side of the front sight and turn left to take off the key.



3. Remove the spring guide cover by using the key.



4. Insert the key into the notch on the spring guide and rotate 90 degrees.



5. Pull out the spring guide and spring then change it.

MAINTENANCE / TROUBLESHOOTING



SYMPTOMS	CAUSE	SOLUTIONS
Not Firing No Sound	The selector is set to SAFE	Switch the safety selector to SEMI or AUTO
	Low battery or faulty battery	Charge the battery
	Battery connector is disconnected	Connect the battery connector
	The "+" and "-" of battery is reversed	Connect the poles correctly
Motor is Turning but not Firing	Poor electrical connection	Check contacts
	BBs are clogging the magazine or barrel	Remove clogged BBs from magazine or barrel
	Magazine	Check if magazine is properly loaded into the gun, make sure magazine is loaded with BB & the hi-cap magazine is properly wound
Failure of Full or Semi-automatic Firing	Faulty gearbox	Contact local authorized dealer for repairs
	Insufficient battery power	Charge the battery
	Battery voltage or discharge is too high	Change the battery
	Poor electrical connection	Check contacts
BBs Travels Upward	BBs misfeed from magazine	Eject the magazine and insert it properly
	Too much Hop-Up	Dial down the Hop-up adjustment
BBs Travels Downward	Too less Hop-Up	Dial up the Hop-Up adjustment
BBs Double Feeding or Rolling out of the Barrel	Excessive grease or oil in the Hop-Up unit	Fire at least 200 rounds to eliminate excessive grease from the chamber. Clean Hop-Up unit with supplied cleaning rod.
	Hop-Up unit is turned off	Turn Hop-Up unit on
Inner Barrel is jammed or jamming	Use of recycled or low quality BBs	Use only high quality BBs
	Inner Barrel is contaminated with BBs or debris	Cleaning barrel with cleaning rod (Check Cleaning the Barrel of Maintenance Section)